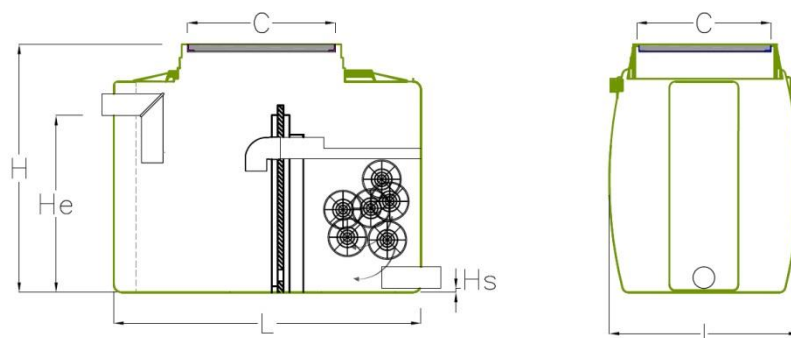


BIOLOGICAL TANK ECODEPUR[®] BIOFIX 6

TECHNICAL INFORMATION

Biological Tank, **ECODEPUR[®] BIOFIX6** is a watertight compact system that allows domestic wastewater treatment, and incorporates a primary settling tank, anaerobic digester and an aerobic trickling filter.

- Mark: **ECODEPUR[®]**
- Type: BIOFIX 6
- Manufactured in additive linear anti-UV, by rotomoulding system, which confer elevated mechanical resistance and corrosion protection;
- Absence of unpleasant odours, with correct ventilation;
- High efficiency biological filter;
- Easy to work and do maintenance.



TYPE	HAB.	VOLUME TOTAL (L)	L (mm)	l (mm)	H (mm)	He (mm)	Hs (mm)	Ø PIPE (mm)	C (mm)
BIOFIX 6	6	1.360	1.560	960	1.230	930	30	110	750 x 750

Equipment's dimensioned for an average daily per capita wastewater production of 80 l/EH.d